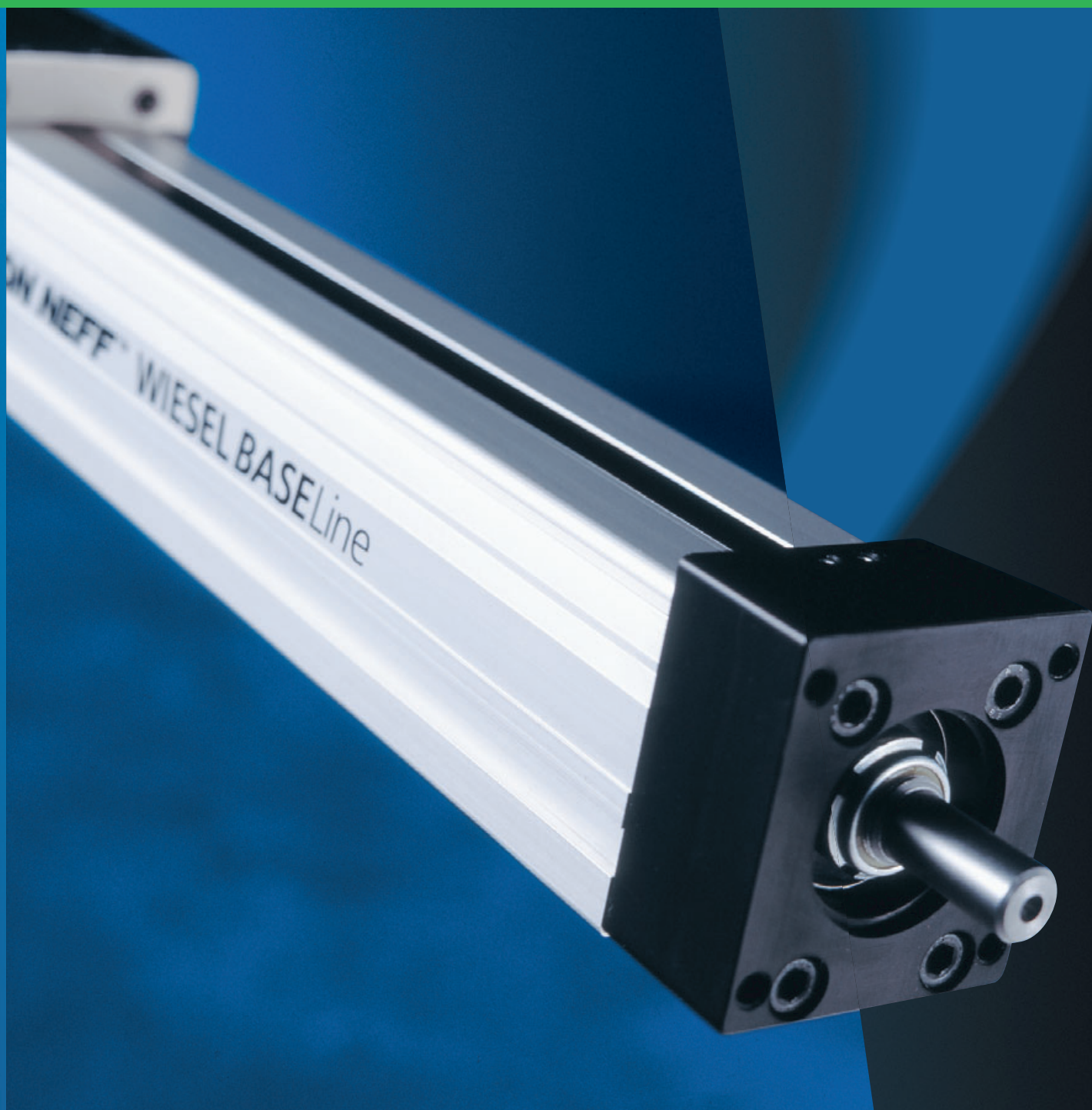


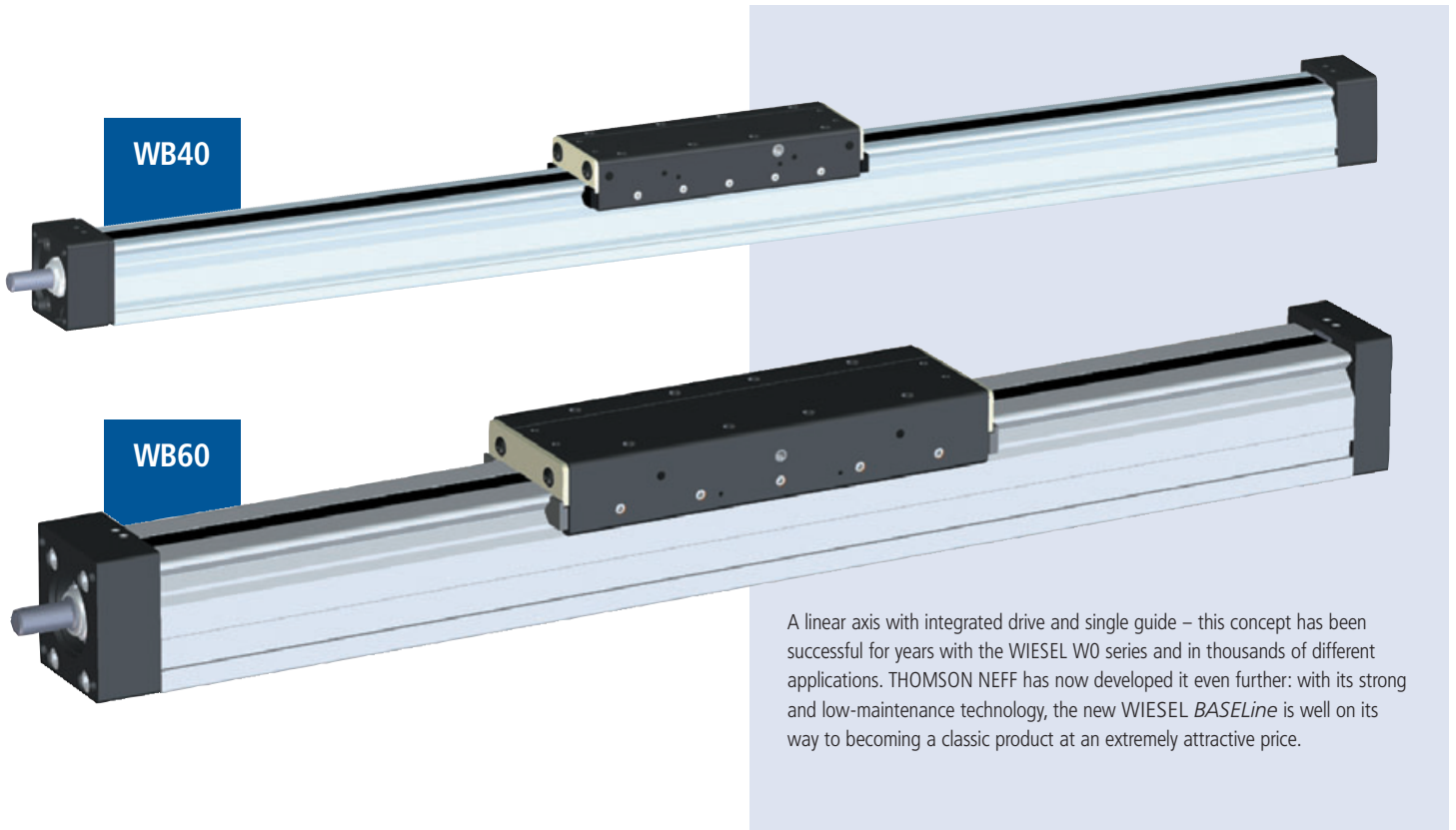
News on a classic: Mechanical linear drive unit **WIESEL BASELine**



WIESEL *BASELine*

A classic is rediscovered.

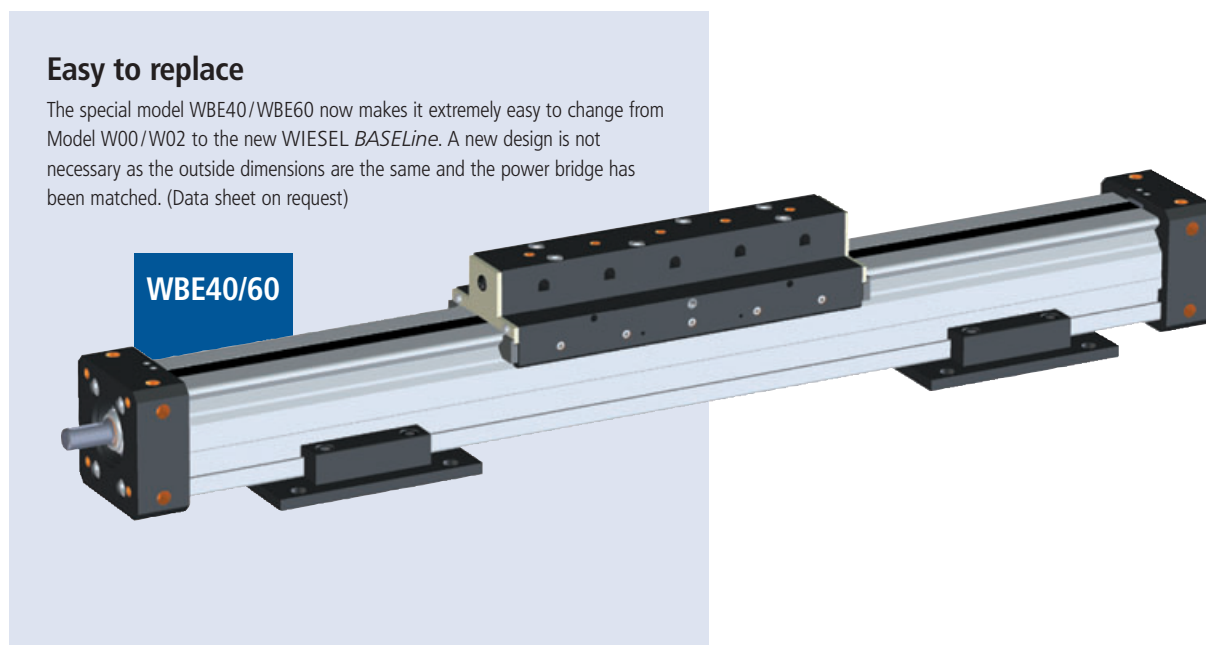
The new mechanical linear drive units.



A linear axis with integrated drive and single guide – this concept has been successful for years with the WIESEL W0 series and in thousands of different applications. THOMSON NEFF has now developed it even further: with its strong and low-maintenance technology, the new WIESEL *BASELine* is well on its way to becoming a classic product at an extremely attractive price.

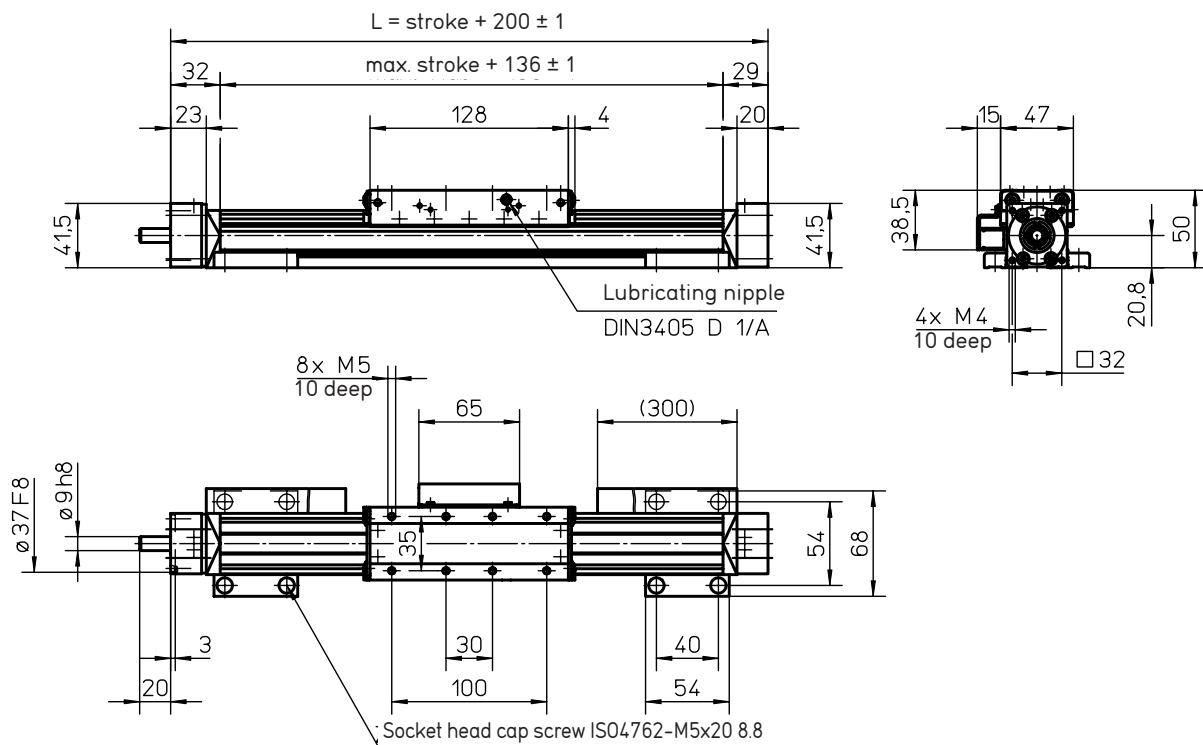
Easy to replace

The special model WBE40/WBE60 now makes it extremely easy to change from Model W00/W02 to the new WIESEL *BASELine*. A new design is not necessary as the outside dimensions are the same and the power bridge has been matched. (Data sheet on request)



WIESEL BASELine WB40

with ball screw drive or trapezoidal screw drive and sliding guide



Technical data

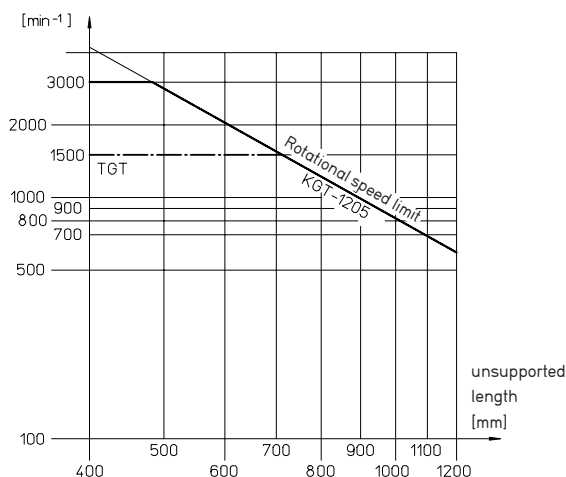
- Linear speed: max. 0.25 m/s
- Repeatability: ± 0.05 mm
- Acceleration: max. 5 m/s²
- Rotational speed: max. 3000 rpm
- Drive element: Ball screw drive with low-backlash single nut or trapezoidal screw drive
- Diameter: 12 mm
- Lead: KGT 5 mm
TGT 8 mm
- Stroke length: 30 up to 1000 mm
- Power bridge: 128 mm
- Geometrical moment of inertia: $I_y = 1.04 \cdot 10^5 \text{ mm}^4$
 $I_z = 1.29 \cdot 10^5 \text{ mm}^4$
- Weights: Base without stroke: 1.07 kg
100 mm stroke: 0.3 kg
Power bridge: 0.45 kg
- Provided: with 4 pieces KAO mounting brackets

Idle torques [Nm]

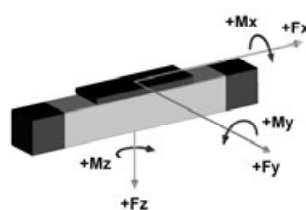
Rotational speed [rpm]	Lead P [mm]	
	KGT 5	TGT 8
150	0.02	*
1500	0.35	*
3000	0.5	*

* Values in determination

Theoretical critical rotational speed



Dynamic load and load moments



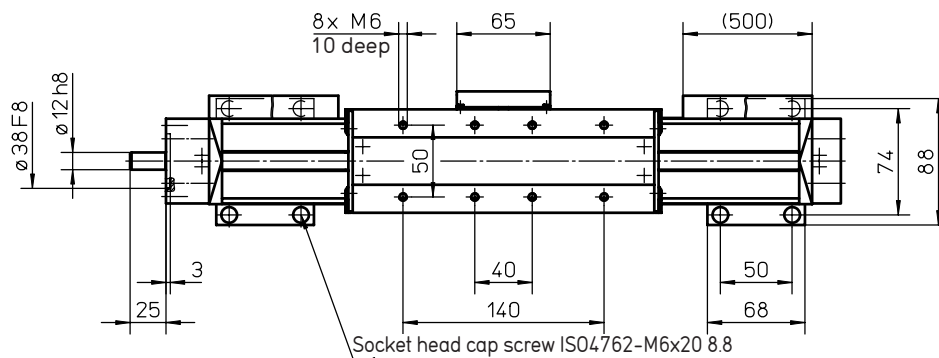
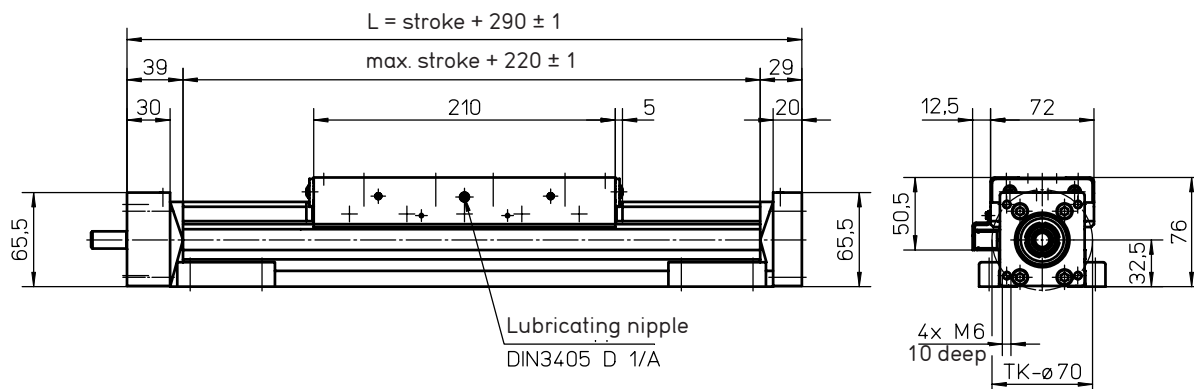
Load	dynam. [N] ¹⁾
Fx drive KGT 1205	200
Fx drive TGT 12x8	500
Fy	200
±Fz	250

Load moment	dynam. [Nm]
Mx	6
My	15
Mz	10

¹⁾ Max. total load of the system linear drive unit

WIESEL BASELine WB60

with ball screw drive or trapezoidal screw drive and sliding guide



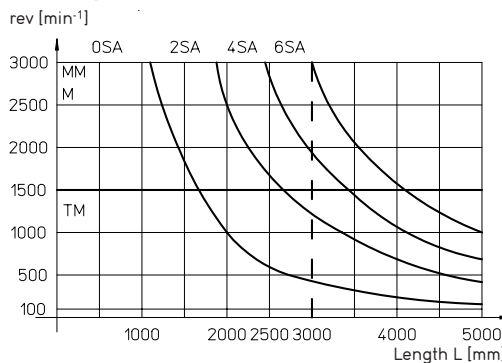
Technical data

- Linear speed: max. 1 m/s
- Repeatability: ± 0.05 mm
- Acceleration: max. 5 m/s²
- Rotational speed: max. 3000 rpm
- Drive element: Ball screw drive with low-backlash single nut or trapezoidal screw drive
- Diameter: 20 mm
- Lead: KGT 5, 20 mm
TGT 8 mm
- Stroke length: 40 up to 5200 mm
- Power bridge: 210 mm
- Geometrical moment of inertia: 6.1 · 10⁵ mm⁴
7.0 · 10⁵ mm⁴
- Weights: Base without stroke: 3.63 kg
100 mm stroke: 0.72 kg
Power bridge: 1.17 kg
- Provide: with 4 pieces KAO mounting brackets

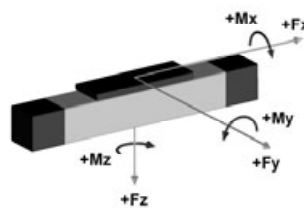
Idle torques [Nm]

Rotational speed [rpm]	Lead P [mm]		
	KGT 5	KGT 20	TGT 8
150	0.50	0.70	*
1500	1.00	1.35	*
3000	1.50	1.80	*

SA-diagram



Dynamic load and load moments



Load	dynam. [N] ¹⁾
Fx drive KGT 2005	2500
Fx drive KGT 2020	1500
Fx drive TGT 20x8	2500
Fy	500
±Fz	650

Load moment	dynam. [Nm]
Mx	30
My	70
Mz	50

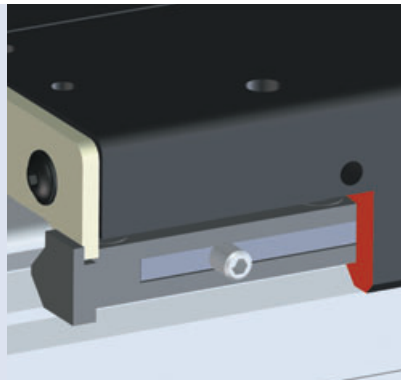
* Values in determination

¹⁾ Max. total load of the system linear drive unit

Proven technology that simply excels.

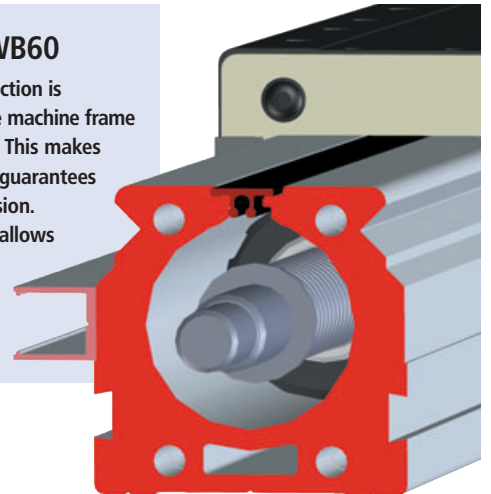
Guide system

With its low-maintenance sliding rail, the WIESEL *BASELine* offers a strong and reliable guide system that can even be easily replaced by the user.



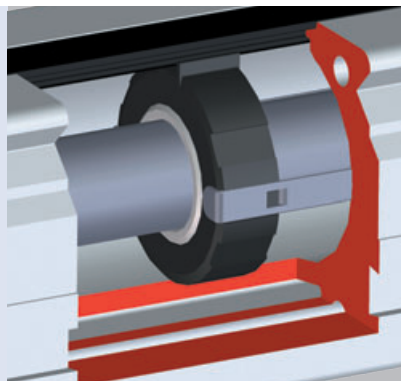
Cross section WB60

The rigid aluminium section is fastened directly to the machine frame by mounting brackets. This makes alignment simple and guarantees direct power transmission. The flat power bridge allows the use of all kinds of different fastening methods.



Screw support

Even for great strokes, the integrated screw supports are very dynamic and reliable and they run smoothly.



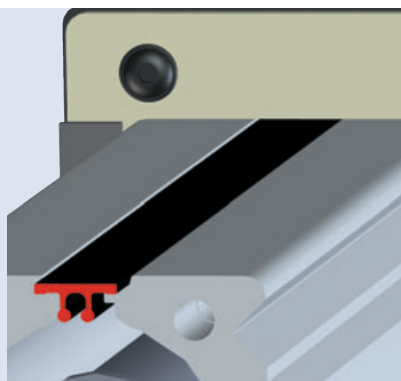
Lubrication

Maintenance is extremely easy: The ball screw is easily lubricated through a lubricating nipple on the power bridge. The trapezoidal screw drive and the fixed and movable bearings are maintenance-free.



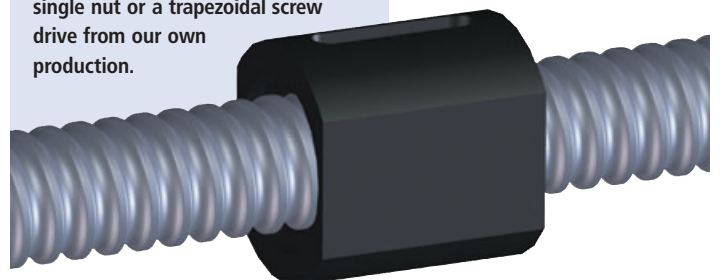
Sealing strip

The proven sealing strip protects the drive reliably from dirt and dust, thus guaranteeing reliability.



Drive system

At the core of the WIESEL *BASELine* there is either a high-precision ball screw drive with a low-backlash single nut or a trapezoidal screw drive from our own production.



EUROPE

United Kingdom

Thomson
Office 9, The Barns
Caddsdow Business Park
Bideford
Devon, EX39 3BT
Phone: +44 (0) 1271 334 500
E-mail: sales.uk@thomsonlinear.com

Germany

Thomson
Nürtinger Straße 70
72649 Wolfschlugen
Phone: +49 (0) 7022 504 0
Fax: +49 (0) 7022 504 405
E-mail: sales.germany@thomsonlinear.com

France

Thomson
Phone: +33 (0) 243 50 03 30
Fax: +33 (0) 243 50 03 39
E-mail: sales.france@thomsonlinear.com

Italy

Thomson
Largo Brughetti
20030 Bovisio Masciago
Phone: +39 0362 594260
Fax: +39 0362 594263
E-mail: sales.italy@thomsonlinear.com

Spain

Thomson
E-mail: sales.esm@thomsonlinear.com

Sweden

Thomson
Estridsväg 10
29109 Kristianstad
Phone: +46 (0) 44 24 67 00
Fax: +46 (0) 44 24 40 85
E-mail: sales.scandinavia@thomsonlinear.com

SOUTH AMERICA

Brasil

Thomson
Av. Tamboré, 1077
Barueri, SP – 06460-000
Phone: +55 (11) 3616-0191
Fax: +55 (11) 3611-1982
E-mail: sales.brasil@thomsonlinear.com

USA, CANADA and MEXICO

Thomson
203A West Rock Road
Radford, VA 24141, USA
Phone: 1-540-633-3549
Fax: 1-540-633-0294
E-mail: thomson@thomsonlinear.com
Literature: literature.thomsonlinear.com

ASIA

Asia Pacific

Thomson
E-mail: sales.apac@thomsonlinear.com

China

Thomson
Rm 2205, Scitech Tower
22 Jianguomen Wai Street
Beijing 100004
Phone: +86 400 6661 802
Fax: +86 10 6515 0263
E-mail: sales.china@thomsonlinear.com

India

Thomson
c/o Fluke Technologies Pvt. Ltd.
#424, Deodhar Center,
Marol Maroshi Road,
Andheri – E, Mumbai – 400059 India
Phone: +91 22 29207641
E-mail: sales.india@thomsonlinear.com

Japan

Thomson
Minami-Kaneden 2-12-23, Suita
Osaka 564-0044 Japan
Phone: +81-6-6386-8001
Fax: +81-6-6386-5022
E-mail: csjapan@scgap.com

Korea

Thomson
F7 Ilsong Bldg, 157-37
Samsung-dong, Kangnam-gu,
Seoul, Korea (135-090)
Phone: +82 2 6917 5049
Fax: +82 2 528 1456
E-mail: sales.korea@thomsonlinear.com

www.thomsonlinear.com

WIESEL_BASELine_Mechanical_Linear_Drive_ctuk_2004 | 20170113SK
Specifications are subject to change without notice. It is the responsibility of the product user to determine the suitability of this product for a specific application. All trademarks property of their respective owners. © 2004 Thomson Industries, Inc.

 **THOMSON**[®]

Linear Motion. Optimized.[™]