

How to Get the Most Life Out of Your Profile Rail

Machine designers frequently specify profile (or square) rail to achieve higher rigidity and load capacity, reduce the installation envelope or improve accuracy. As with all linear motion components, durability is primarily a function of speed, load and duty cycle, for which the application dictates the parameters.

Within those parameters, diligent lubrication and contamination protection are most critical to extending the lifetimes of profile rail linear guides.

A recent article (also published in *Design World*) reveals best practices when it comes to lubrication and contamination protection to help your profile rail live a long, happy life.

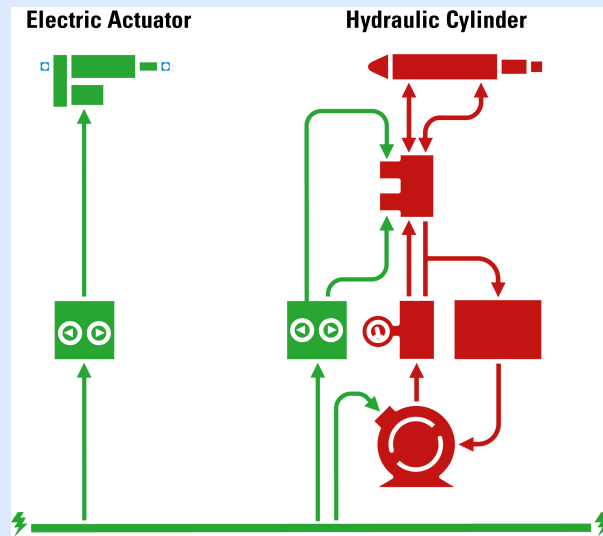


[READ THE FULL ARTICLE](#)

[TRY OUR PROFILE RAIL
SELECTOR TOOL](#)

What can converting to electric do for your applications?

The trend of employing electric linear actuators in machines using motion control is strong and growing. In addition to the benefits of simplicity, cleanliness, safety, space consciousness and cost saving, newer capabilities in controllability, power, shock load dampening and regen have made electrification a no-brainer for designers.

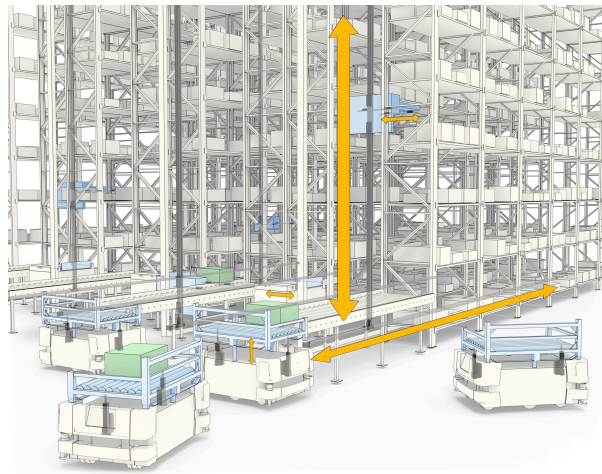


[LEARN MORE ABOUT ELECTRIFICATION](#)

[WATCH OUR VIDEO](#)

Design stronger and smarter material handling equipment

In a modern production environment, moving material quickly, accurately and efficiently is a big challenge. Using the optimal motion control products can enable you to help your customers save time and money, giving you a competitive edge. Thomson is ready to partner with you on a solution. Through world-class components and systems, decades of hands-on, motion control experience and a global footprint, we have expertise in a wide array of handling applications.



Thomson offers several standard components that are well-suited to applications such as this vertical lift module, which must handle items quickly while maximizing the storage area.

[DOWNLOAD OUR MATERIAL HANDLING BROCHURE](#)

[EXPLORE OUR LINEAR MOTION SOLUTIONS](#)

Share via Social Media



©2024 Thomson Industries, Inc.
2400 Curtiss Street, Downers Grove, IL 60515, USA
[UNSUBSCRIBE](#)
To be completely removed from all Thomson emails, [click here](#).