



Thomson® Motorized Lead Screws Offer More Thrust, Smaller Footprint and Easier Maintenance

New Thomson motorized lead screws combine a hybrid stepper motor and a lead screw in a compact envelope.

Increased Torque Density:

Increase the load capacity by up to 30% while maintaining the same motor footprint.

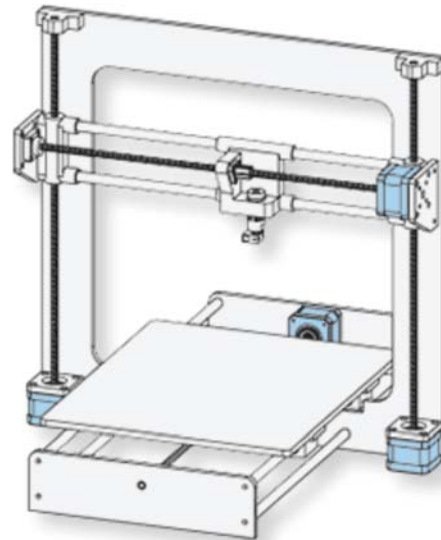
Improved Efficiency:

Provides a more efficient solution to reduce power consumption, improve operating battery life, and decrease motor footprint.

The Taper-Lock Advantage:

Patent-pending Taper-Lock design provides the ability to quickly decouple the lead screw from the stepper motor. The connection is secure, robust, and self-aligning.

Thomson Motorized Lead Screws are a perfect fit for **medical devices** and also for **X-Y stages** and **3D printers** as well as many others.



[Learn more, see performance curves >](#)

[View detailed application examples >](#)

[+ education/events](#)



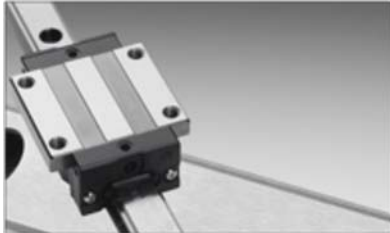
Expand your Knowledge: Free On Demand Webinar Archive

Want to learn more about linear motion technology and products? All Thomson webinars are archived and available for free.

From general topics like "[Designing Cost out of Your Machines](#)" to product specific overviews like our series of mini webinars introducing the line of Thomson miniature components ([Miniature Screws](#), [Miniature Bearings and Guides](#), [Miniature Brakes and Systems](#)), you will find useful information and tips on a range of topics in the Thomson webinar archive.

[Learn more >](#)

+ applications/tools/products




Need some linear guidance?

Thomson 400 Series Profile Rail Linear Guides delivers an accurate, reliable transport-grade linear motion solution.

Ideal for cost-sensitive applications and suitable as a drop-in replacement with industry-standard envelope:

- Polymer ball-return tube reduces noise and vibration while retaining lubrication.
- Rails length up to 4 meters, in sizes 15 – 55 mm.
- Suitable for loads ranging from 9,800 N up to 178,900 N.



NEW: The **400 Series Express Program** stocks the most popular SKUs in North America - ready for same/next day shipment.

[Download free CAD models now >](#)

Share via Social Media:



Share via email:

